

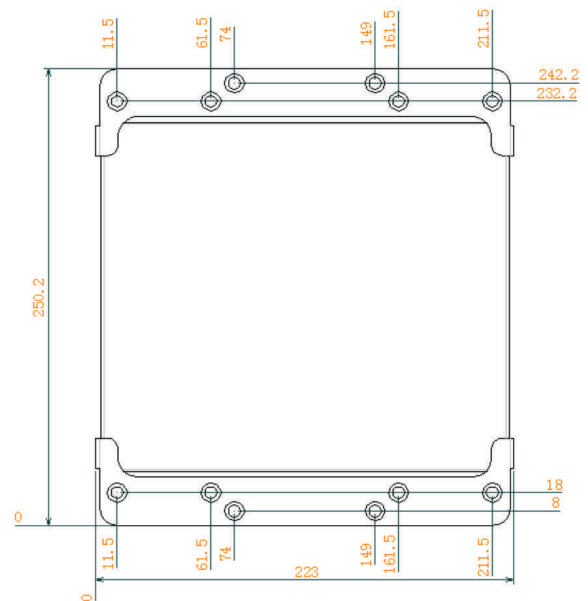


Specification

Model	T310045 / T310045-1 / T310045-2
System	Intel Braswell ITX System, Intel® Celeron® N3060** on-board SoC, 2* LAN (Max. upto 4 * Lan) ** Long Term Support, with flexible I/O Panel
Chassis	IT301 (T3 Filet Case) Stylish Black with FAN, PWR / HDD Led 2* 2,5 Drive Bay
Mainboard	tKINO-BW-N2-R10**
CPU	Intel® Celeron® N3060** on-board SoC (up to 2.48GHz, dual-core, 2MB cache, TDP=6W)**
Memory	4GB (2x2) DDR3L SODIMM Default, (8 GB max)
Graphics	Intel® HD Graphics Gen 8 Engines with 16 low-power execution units, supporting DX11.1, OpenGL 4.2 and OpenCL1.2
Display	1 x HDMI/DP (up to 3840x2160@30Hz) LVDS (1920x1200@60Hz) VGA (up to 1920x1200 @ 60 Hz)
Ethernet	Dual Realtek RTL8111E PCIe GbE controller Dual LAN via Intel 82583V x 2 (MEC-Lan-002)
Audio	Realtek ALC662 HD codec supports 5.1 channel
Digital I/O	8-bit digital I/O (2x5 pin)
Front I/O	Audio Line IN/OUT, 2* USB 2.0 Type A
Rear I/O	DC input, VGA, HDMI/DP, 2 (Max. 4) *GbE, 4* USB 3.0, Line IN/OUT
on Board	TPM, SMBUS (4pin), Digital I/O (2*5pin), USB2.0 (2,54mm), 4*RS232, 2*RS422/485, 1* Mini PCIe x1, 1* mSATA
Watch Dog	Softw are programmable, support 1~255 sec. system reset
Power	4pin 12VDC via 84Watt AC/DC Adapter 90-230V AC
Dimension	W218 x D 210 x H 65 mm

Packing List	1* T310045 ITX System, Intel® Celeron® N3060** on-board SoC, 2x2GB RAM, 500GB SATA HDD F2X410 2* 40mm FAN 1* AD84LM 12V pin Power Adapter 90-230V AC, EU Power Cord 1* Driver / Utility DVD, ONEKEY Recovery DVD 2* Stand for Vertical Desktop use
--------------	----------------------------------------------------------------------------------------------------------------------------------------------------------------------------------------------------------------------------------------------------------------

Wall Mount Drawing



Alternative M/B	tKINO-BW-N3-R10: Intel® Celeron® N3160 on-board SoC (up to 2.24GHz, quad-core, 2MB cache, TDP=6W)
	tKINO-BW-N4-R10: Intel® Pentium® N3710 on-board SoC (up to 2.56GHz, quad-core, 2MB cache, TDP=6W)
Optional parts	T23WVK, Wall mount need 2 pcs / half Vesa mount only 1 pcs
	SSD or 2nd 2.5" SATA HDD
	mSATA SDD (Colay with mPCIe port)
	Bluetooth, W-LAN, WIFI, 3G, 4G Modem, SIM, GPS via mPCIe Slot, TPM-IN01-R11
	IGCME-1300-R11, DP-VGA